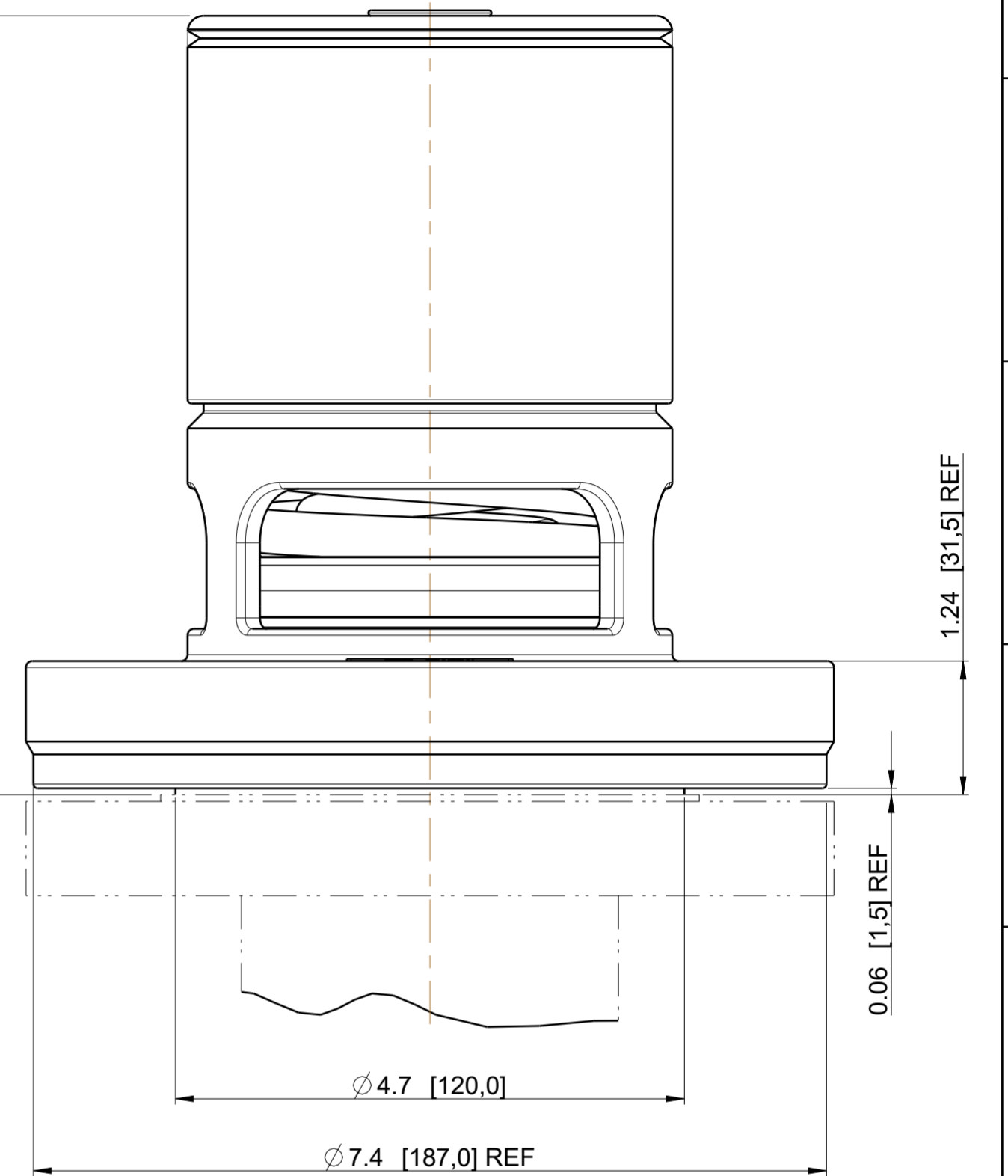
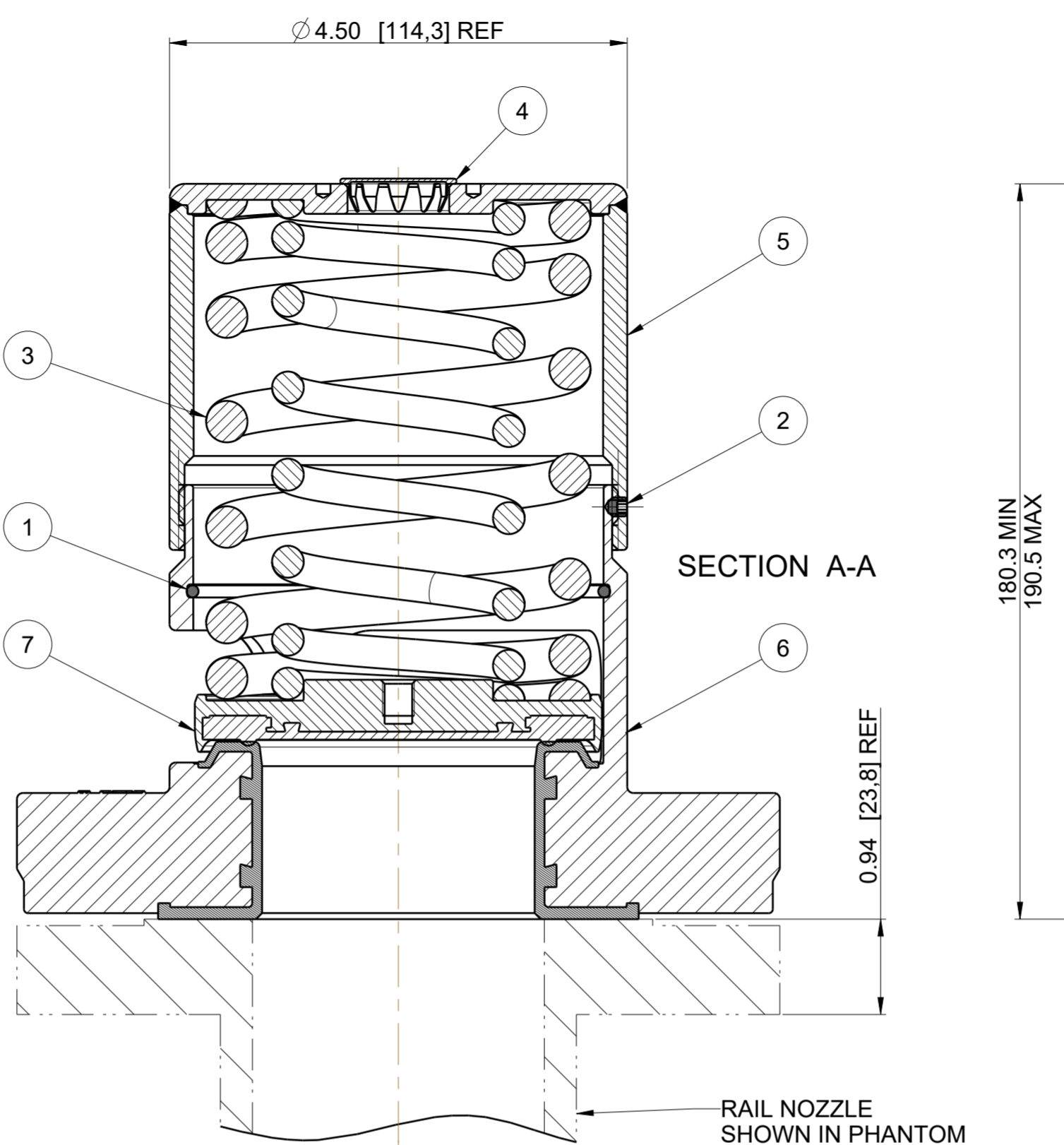
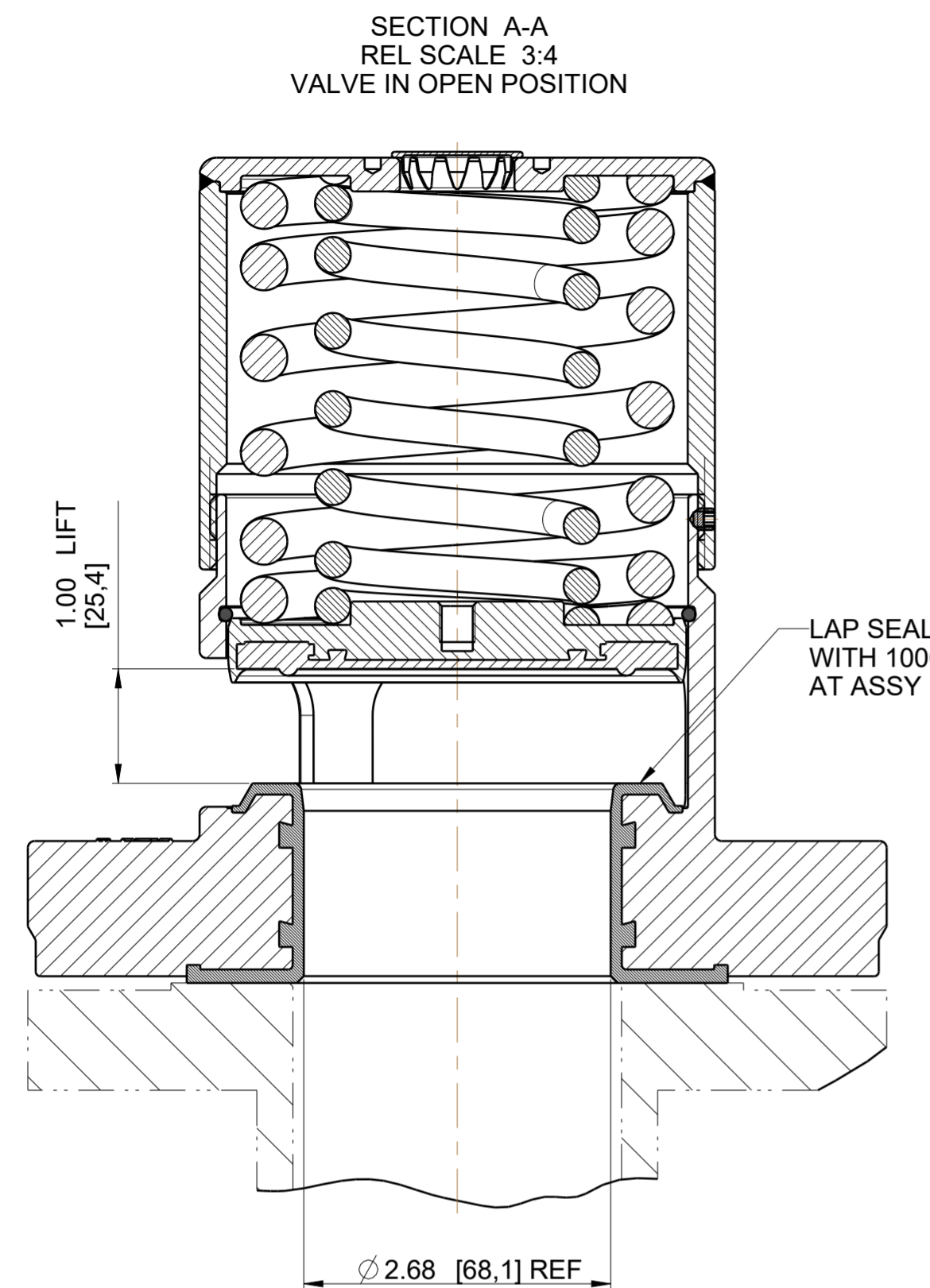


DRAWING STATUS			PRODUCTION		
REVISION	04	SIG	S.MULDOON	15-JAN-2018	
FULL FLOW UNITS UPDATED [5A] AND [6A]					

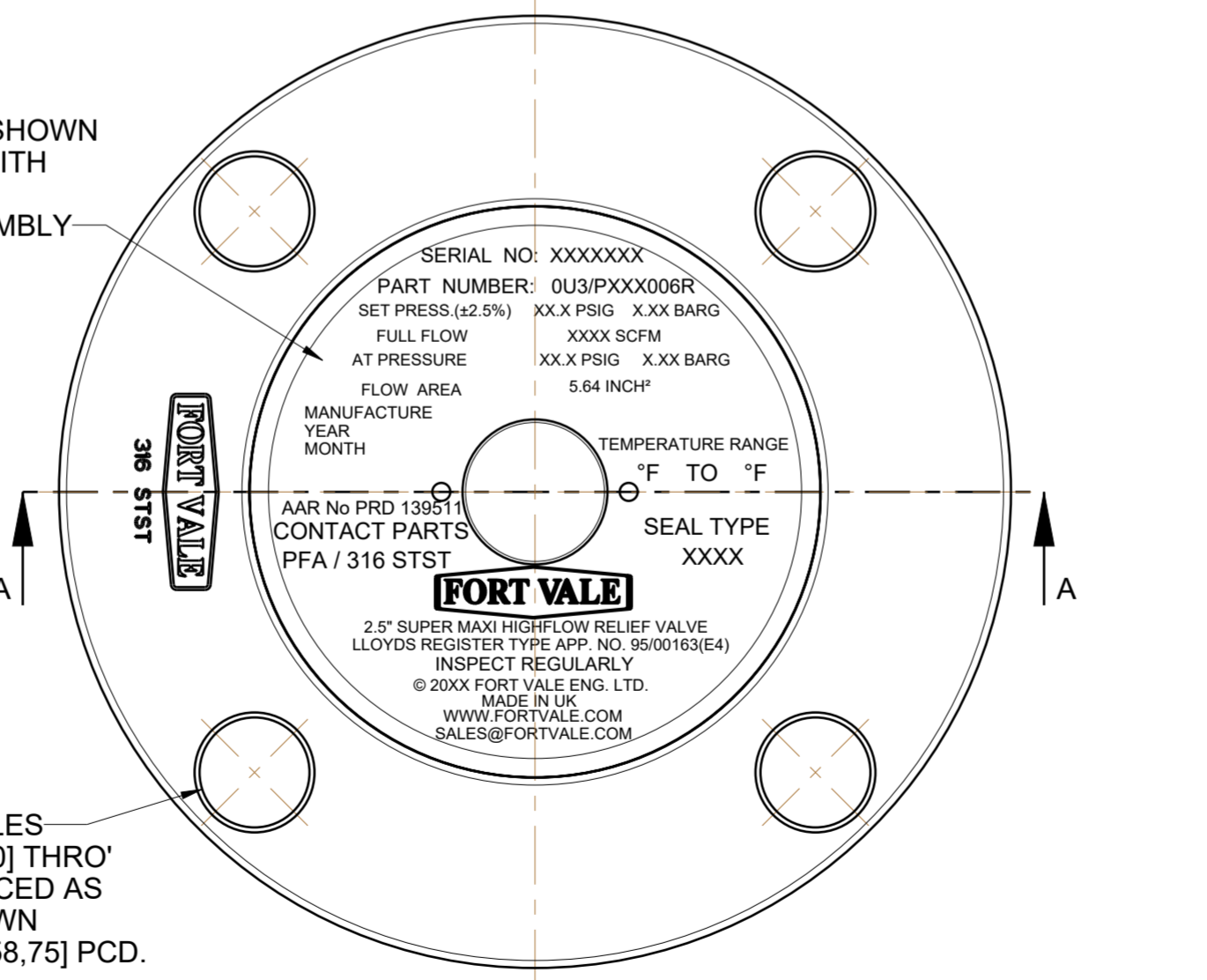


PART NUMBER EXAMPLE :-
 0U3/P165006R VALVE DENOTES
 65mm RELIEF VALVE SET AT 165 PSIG
 PRESSURE SEAL MATERIAL PFA
 AAR APPLICATION NUMBER: PRD 139511
 MATERIAL MUST CONFORM TO
 ASME SA351 CF3M, ASTM A351 CF3M(YEAR DATE)

NOTE!
 ALL WETTED AREAS
 PFA COATED
 SPRINGS HALAR COATED

DESIGN CODE : ASME VIII DIV 1
 DESIGN PRESSURE (MAWP) : 165psig 11.38barg
 SERVICE TEST PRESSURE : 248psig 17.1barg
 MAX DESIGN TEMPERATURE : 302°F (150°C)
 MIN DESIGN TEMPERATURE : -67°F (-55°C)

CAP TO BE LASER MARKED AS SHOWN
 WITH X'S TO BE FILLED IN WITH
 CORRECT INFORMATION
 UPON COMPLETION OF ASSEMBLY



Index	Part Number	Description	Material	Qty
7	1860/XXXX	LINED PRESSURE PLATE (SEE TABLE)	316 STST/ PFA	1
6	1860/0635U	PFA LINED SUPER MAXI BODY	316 STST/ PFA	1
5	XXXX/XXXX	TOP CAP (SEE TABLE)	316L STST	1
4	10978/1	STAINLESS PLUG	ST ST	1
3	6104-XXXX	PRESSURE SPRING (SEE TABLE)	HALAR COATED 17/7 SS	1
2	5121-001	3/16"BSW.3/16"LG SOCKETHEAD	304 STST	1
1	5120-067	RETAINING RING CLIP	316 STST	1

Assembly BOM

© FORT VALE ENGINEERING LTD 2018.

SALES@FORTVALE.COM WWW.FORTVALE.COM

ENGLAND, USA, CHINA
NETHERLANDS, SINGAPORE

DO NOT SCALE- IF IN DOUBT ASK

UNLESS OTHERWISE STATED

X.X ±0.5	SURFACE FINISH 3.2um MAX CORNER RADII 0.8 CORNER CHAMFER 1.0 X 45° REMOVE ALL BURRS AND SHARP EDGES	ISO9001:2008 REGISTERED FIRM: LRQ4007111	MATERIAL: VARIOUS	
X.XX ±0.25			SCALE: NTS	MASS: SEE TABLE
X.XXX ±0.125			CHECKED	DVN: 31049
ANGLES ±0.5°				

DESCRIPTION: PFA LINED 65mm SUPERMAXI HIGHFLOW R/V

TYPE: MK3 SUPER MAXI HIGH FLOW

SHEET 1 OF 1
 DRAWN BY: D BAILEY
 DATE: NOV-19-13

DRG.NO. 0U3/PXXX006R

0U3/P165006R	1860/0049/5	1860/P085	6104-1264RL	SPRING PAIR	165.0 [11.38]	22286.3 [10.52]	198.0 [13.66]	24000 [11.33]	214.5 [14.79]	37.6 [17.1]
PART NUMBER	TOP CAP (ITEM 5)	PRESSURE PLATE (ITEM 7)	INNER SPRING	OUTER SPRING	SET PRESSURE PSI [BAR]	120% CERTIFIED FULL FLOW SCFM [sm ³ /S]	120% OVER PRESSURE PSI [BAR]	130% CERTIFIED FULL FLOW SCFM [sm ³ /S]	130% OVER PRESSURE PSI [BAR]	MASS lb [kg]
1	2		3		4	5		6	7	8