



POLYPETROCHEM

www.polypetrochem.com

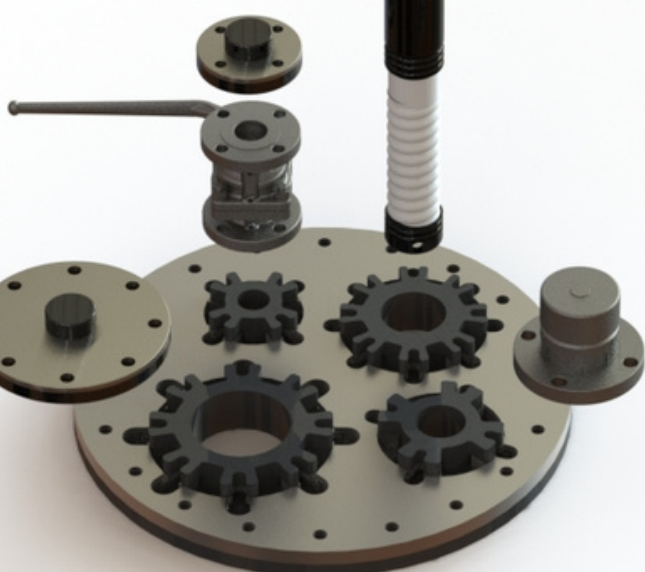
info@polypetrochem.com

936.298.7171

CHECK
THIS
OUT



*PATENT US 9,470,348



*PATENT PENDING



POLYPETROCHEM



~~SOLUTIONS
ARE BORN
FROM
INNOVATION~~

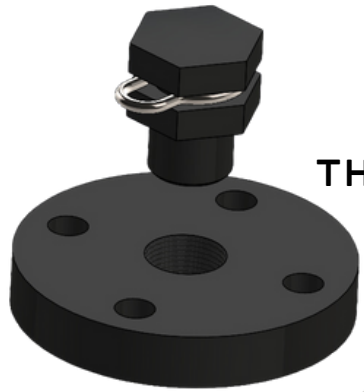
TRANSQUIP U.S.A. INC

www.transquip.com

sales@transquip.com

281.442.8000

BLIND FLANGES



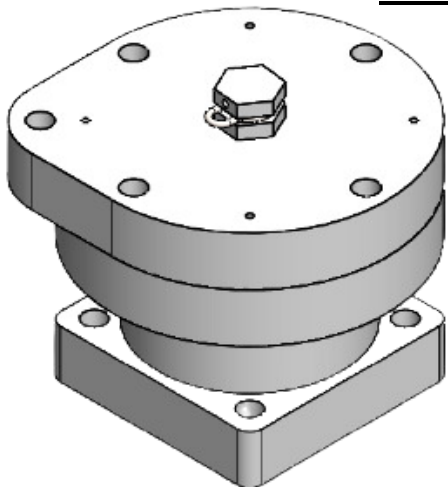
THREADED

REINFORCED

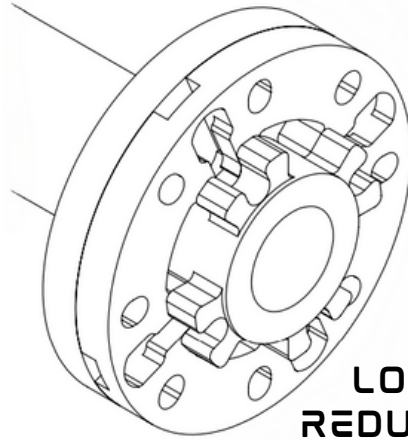


POLY

BOTTOM OUTLET ADAPTERS



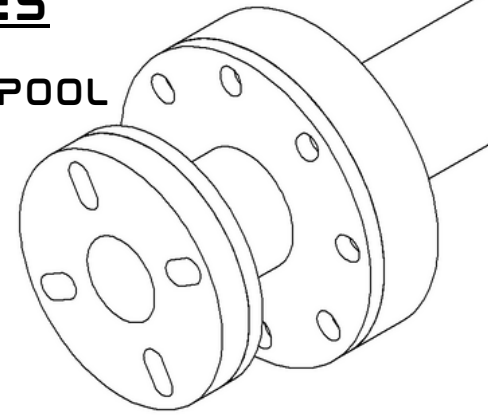
REDUCTION PIPES



LOW PROFILE
REDUCING FLANGE

*PATENT US 9,470,348

REDUCING SPOOL



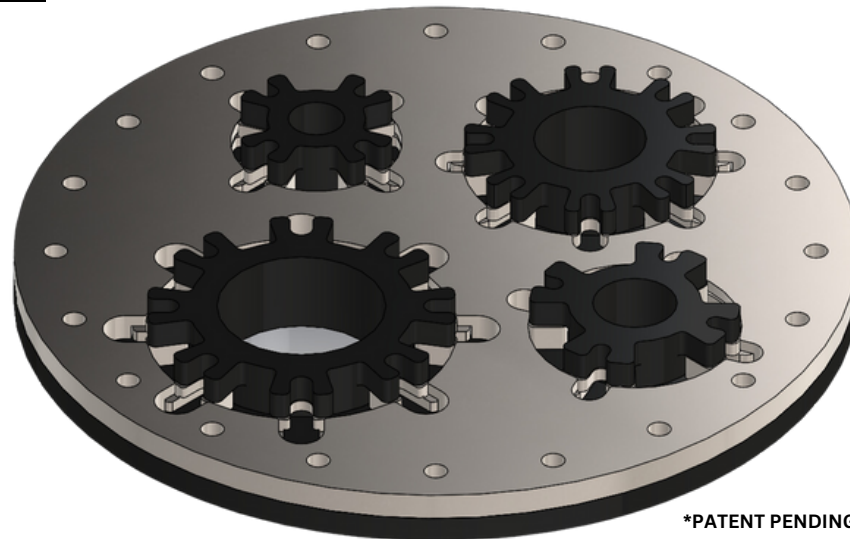
BASIC



GROOVES
BARBS
CONVOLUTION

TRIPLE
FLEX
SECUREMENT

MANWAYS



*PATENT PENDING